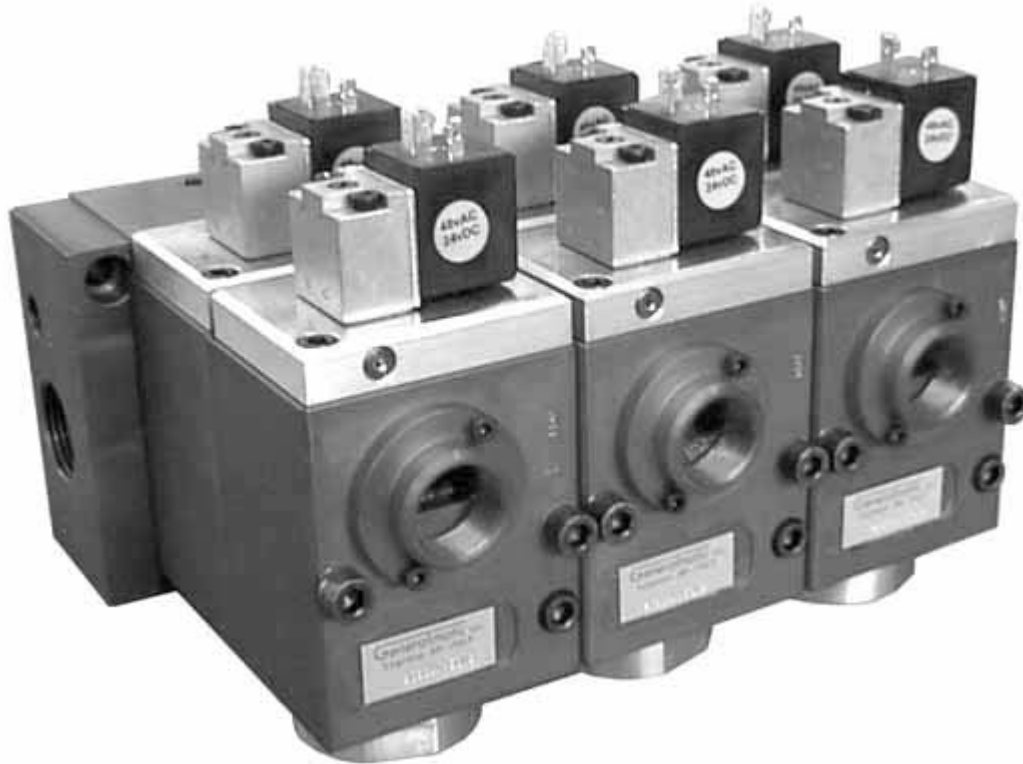


Generalmatic S.R.L.



***POPPET VALVES
for COUNTER BLOW - Hi Lo PRESSURE***

<0> TABLE OF CONTENTS:

- <1> Performance characteristics**
 - <2> Product number translation**
 - <3> 2CBG4 - Poppet valve**
 - <4> FP37 - Single sub-base**
 - <5> BP3700 - Sub-base for multiple gobs**
 - <6> Related links**
-

<1> PERFORMANCE CHARACTERISTICS:**Features:**

Poppet valves 4 ways - 2 Operators - N.C.
 Sub-base munted
 Remoted air pilot operated / Electrical pilot operated
 DN 3/4"G
 Flow: 8000 NL/min - Kv: 105

Installation:

Valves should be installed with reasonable accessibility for service. Keep piping lengths to a minimum, locating the valve as close to the operating device as possible. Piping should be clean and free of dirt and chips. Care should be taken to avoid undue strain on the valve. Protect the valve from dirt and moisture to maximize life.

Life expectancy:

These valves are durable and well suited to many demanding applications. Whenever possible use properly filtered and lubricated air for maximum life.
 Life tested to over 50 million troublefree cycles.

Factory pre-lubrication:

All valves are lubricated at assembly with grease.

Lubrication:

Air line lubricant (compatible with nitrile seals) or not-lubricated service. Lubrication is not required but is recommended to maximize valve's life.

Remote air pilot:

Remote air pilot should be normally closed (pilot charge).

Solenoid air pilot operated:

From 12V DC to 240V AC, 50÷60Hz

External pressure:

All the valves must work with esternal pressure to pilot internal mechanism

Ambient temperature range:

	standard (X)	option FKM seals (V)
Solenoid air pilot operated	-35°C to 120°C [25F to 250F]	-35°C to 120°C [25F to 250F]
Remote air pilot operated	-35°C to 120°C [25F to 250F]	-35°C to 160°C [25F to 320F]

Service of maintenance:

Under this point of view, the valve is very useful. To get a simple and rapid substitution of the valve is enough to unscrew the 2 top-screws. To change the internal parts is the same of a joke, using our special kit completed with special seals.

Return to: <0> Table of contents

<2> PRODUCT NUMBER TRANSLATION:**Poppet valve 2CBG SERIES:****2CBG4XPE000**

UTILIZATION:

00 = no vacuum service
 WA = vacuum service on valve "A"
 +- WB = vacuum service on valve "B"

SERVICE:

0 = standard
 +-- 3 = HF [High Speed Reply]

PILOT:

+--- E = external

OPERATORS (VOLTAGE):

P = remote air pilot
 G = 24V a.c. (12V d.c.)
 H = 48V a.c. (24V d.c.)
 M = 110V a.c. (48V d.c.)
 N = 220V a.c. (110V d.c.)
 +---- O = not assembled coil

SEALS:

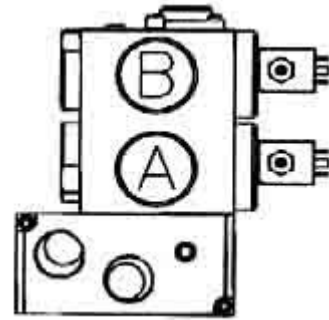
X = special standard seals
 +----- V = FKM

FUNCTION:

+----- 4 = 4 way - 2 operators

SIZE:

+----- 2CBG = 3/4" series DN ; NC "normally closed"

**Single Sub-base:****FP372500**

PORTS:

25 = 3/4"G
 +----- 30 = 1"G

Sub-base for multiple gobs:**BP37002HWA**

UTILIZATION:

00 = no vacuum service (Hi - Lo)
 WA = vacuum service on valve "A"
 +- WB = vacuum service on valve "B"

OPERATORS:

H = electrical pilot
 +---- P = remote air pilot

SIZE:

+---- 2..3..4.. = max number of valves

Special CAP - Replacing valve:

FU3700 Special CAP for replacing 2CBG valves

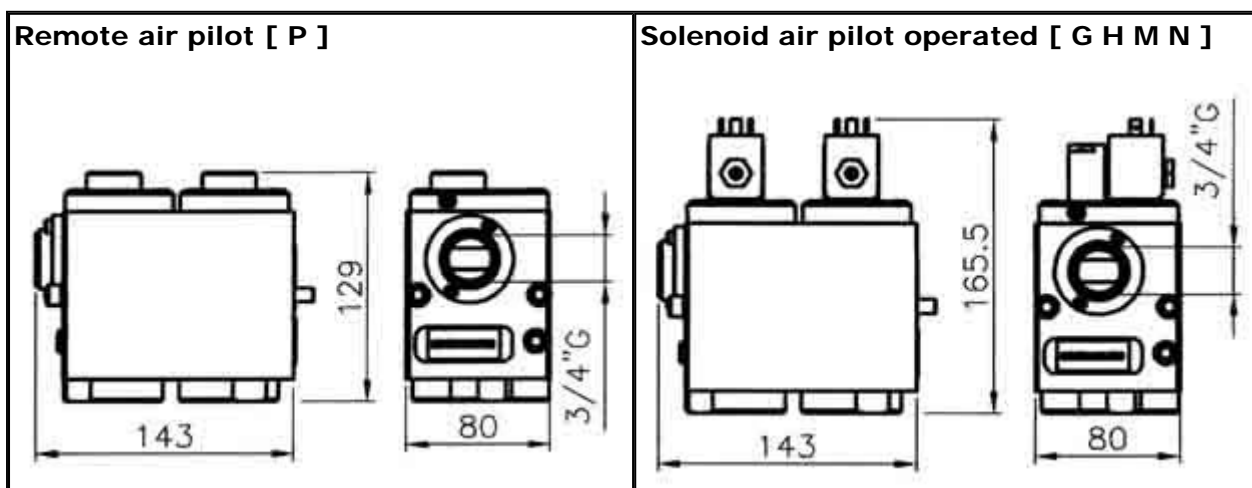
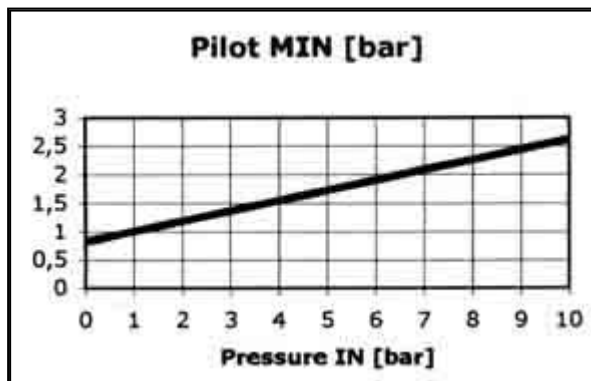
Service:

K2CBG4X Service seals KIT for 2CBG - special standard seals

K2CBG4V Service seals KIT for 2CBG - FKM seals

K25CBG4 Service repair KIT for 2CBG

Return to: <0> Table of contents

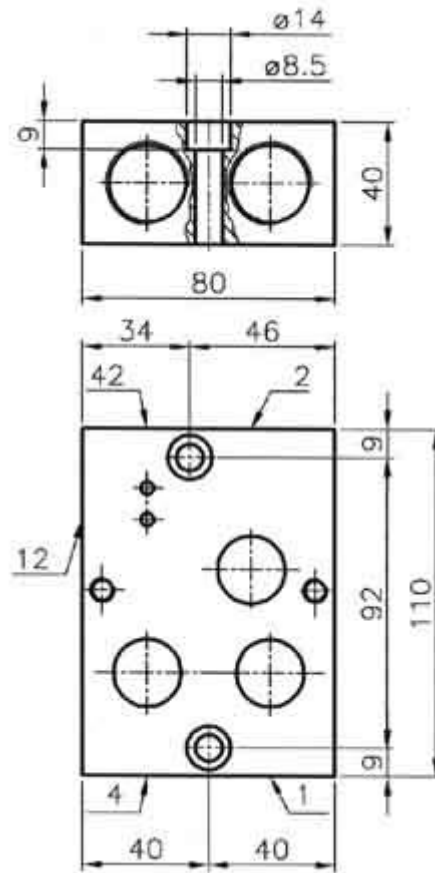
<3> 2CBG4 - POPPET VALVE:**Dimensional information:****External pressure - Remote air pilot - Solenoid pilot operated:**

Return to: <0> Table of contents

<4> FP37- SINGLE SUB-BASE :

Dimensional information:

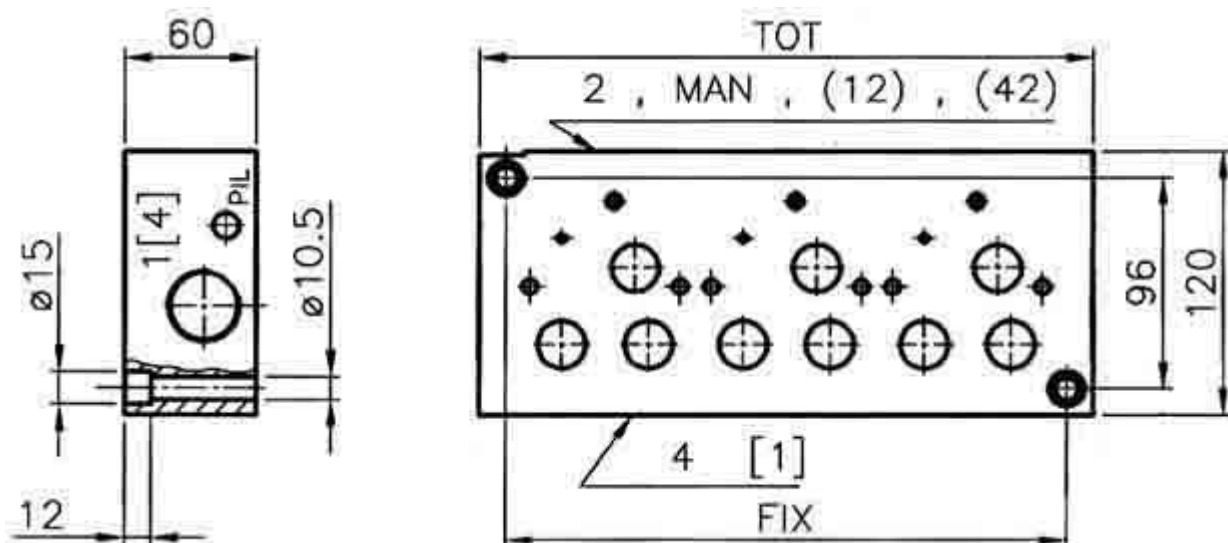
PORT	SIZE	
	Option "25"	Option "30"
1	3/4"G	1"G
2	3/4"G	1"G
4	3/4"G	1"G
12	1/4"G	1/4"G
42	1/4"G	1/4"G



Return to: <0> Table of contents

<5> BP3700 - SUB-BASE FOR MULTIPLE GOBS :

Dimensional information:



N	TOT	FIX
2	194.5	170.5
3	276	252
4	357.5	333.5
5	439	415
6	520.5	496.5

PORT	SIZE
1 [4]	1"G
4 [1]	3/4"G
2	3/4"G
MAN	1/8"G
(PIL)	1/4"G
(12)	1/4"G
(42)	1/4"G

Return to: <0> Table of contents

<6> RELATED LINKS:

<a> Poppet valves

 Double sub-base

<c> Elettrovalvola ad Azionamento Diretto - G1/4"

<d> Elettrovalvola ad Azionamento Diretto - G1/8" - Serie CNOMO

<e> Silenziatori

<f> Tappi a testa cilindrica

Return to: <0> Table of contents

GENERALMATIC srl

... ..

via G. Rossini 80

Legnano (MI) - ITALY

tel: +39.0331.455647

fax: +39.0331.457175

... ..

www.generalmatic.com

generalmatic@generalmatic.com